

Product Catalog

CENTRALIZED LUBRICATING SYSTEM

For the solution to the environmental problems, we provide the system of lubrication technology to support and widely spread the renewable energies.

Steel industry

Wind turbine generators

Hydraulic power generators

Thermal turbine generators

Waste incinerations

Sewage treatments

Tunneling machines

Construction machineries

Conveyors

Food equipments

Machine tools

Molding machines

Paper mills

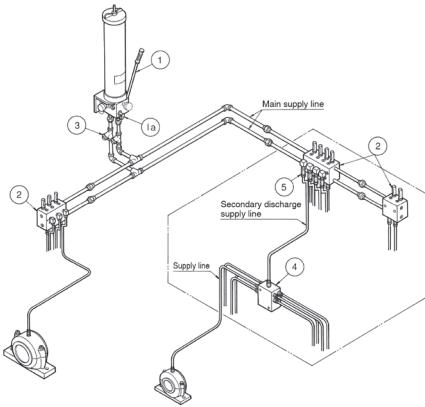


Dual Line

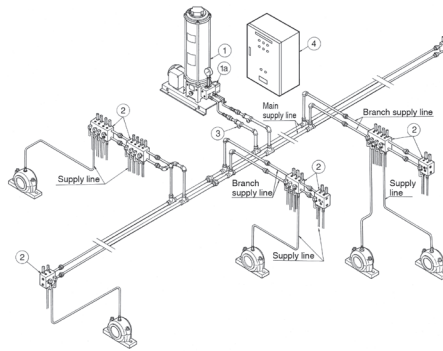
4 systems : available for facilities needs 2 - 2000 lubrication points

Main Applications **Steel industry** **Paper mills** **Middle/Large sized cranes** **Environmental facilities**

Manually Operated End Type System



Motor Driven Lance Type System



Distributing Valves with Dustproof, Waterproof, Heat-resistant Properties



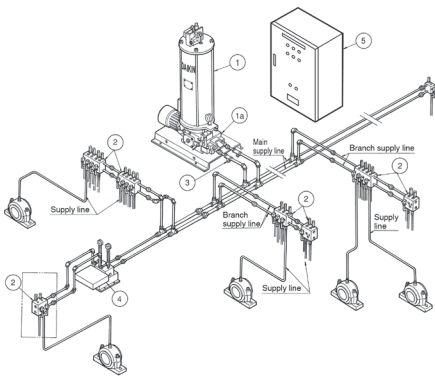
Remodeled the Frame Body Structure



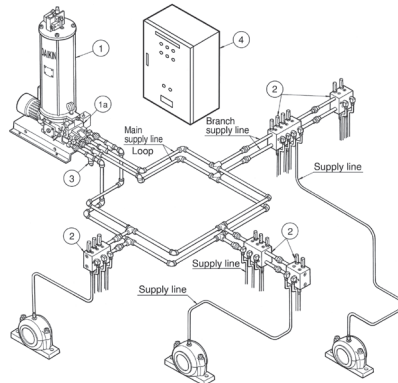
Screw-fixing Type

- Use O-ring for Sealing
- Dustproof and Waterproof Properties improved

Motor Driven End Type System



Motor Driven Loop Type System



Redesigned Covers



Made of Polycarbonate

- Weatherability improved
- Won't discolored easily
- Heat-Resistant Temp. 120°C (Conventional Product : 60°C)

Conventional Product



Frame Caps

- Insert-fixing Type
- Sealing with Cap made of Vinyl Chloride Resin



Covers

- Made of Flexible Vinyl Chloride Resin

Distributing Valves with Monitoring Unit

We offer the remote monitoring system (wire/wireless)

Main Applications **Steel industry** **Conveyors**



We also provide the construction by one-stop service.

Control Panels

Integrated Type with Pump



Wall-mounted/ Free-standing Type



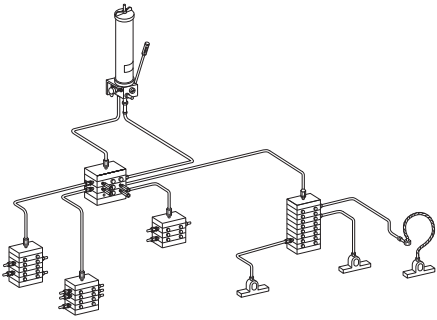
* PLC control panel is also available.

Single Line

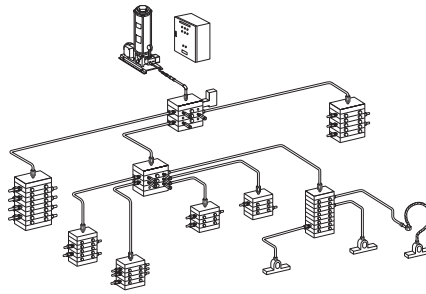
5 systems : available for facilities needs 2 - 2000 lubrication points

Main Applications **Press machines** **Steel industry** **Environmental facilities**

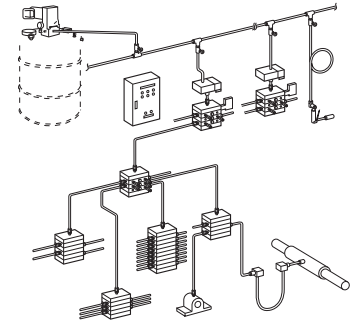
Manually Operated Pump System



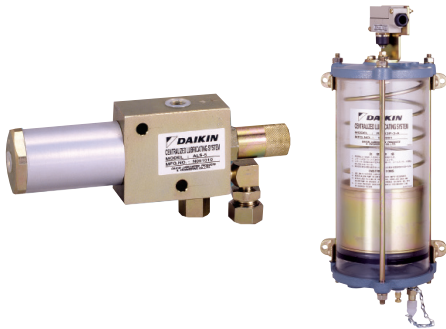
Motor Driven Pump System



Motor Driven Multi-Zone System

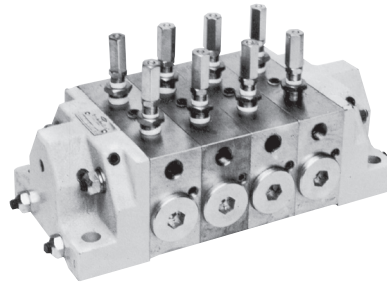


Pneumatic / Hydraulic Pump System

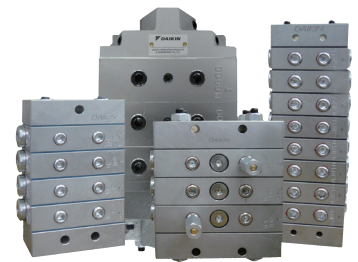


Distributing Valves

[Type MG : Distributing Valves of Large Size for Press Machines]



[Distributing Valves for Single Line System]



Grease Filling Pumps

For Pail Cans

[Manually Operated Pump]



[Motor Driven Pump]



For Drum Cans

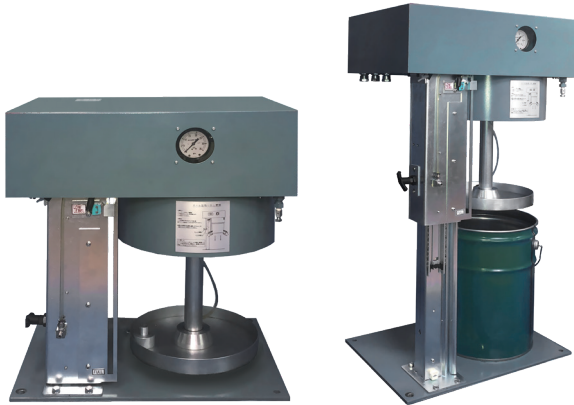


Residual Grease Reducing Type Pumps

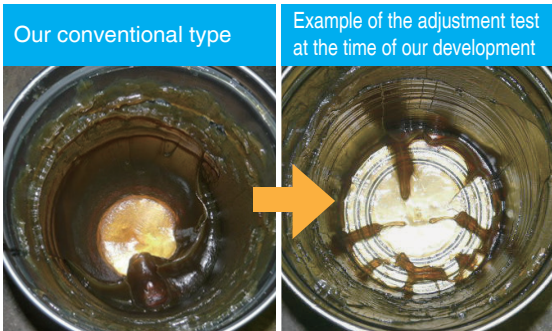
Eco design significantly reduced the amount of residual grease

Main Applications **Steel industry** **Conveyors** **Tunneling machines**

Pail Can Pump LPP-R



Comparison of remaining amount of grease at the low level position



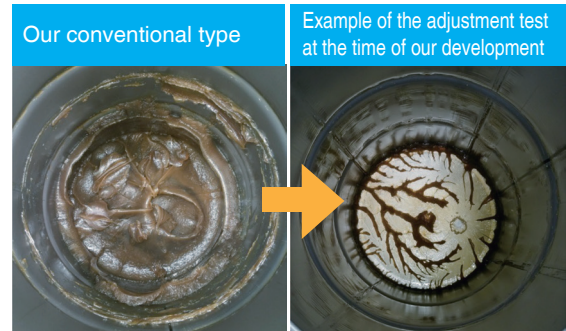
Successfully reduced up to **80%** of residual grease

* Internal evaluation of our products

AELBPR



Comparison of remaining amount of grease at the low level position



Successfully reduced up to **90%** of residual grease

* Internal evaluation of our products

40 MPa Pumps and Distributing Valves



LUBYACE

Available for facilities needs 2 - 40 lubrication points

Main Applications

Wind turbine generators

Small sized cranes

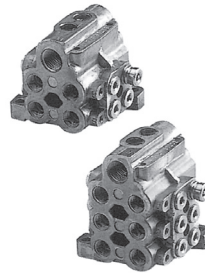
Machine tools

Molding machines

Pumps



Distributing Valves



Controller



LUBMAX

Available for facilities needs 2 - 50 lubrication points

Main Applications

Construction machineries

Wind turbine generators

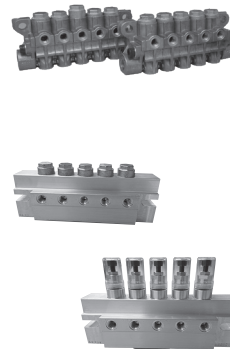
Machine tools

Molding machines

Pumps



Distributing Valves



Controller



Compact Grease Pump Unit

All-in one grease feeders with variety of models

Main Applications

Wind turbine generators

Cranes

Food equipments



- Cartridge type (400g, 500g and 1000g)
 - Follower plate type
- LUBYACE System/LUBMAX System

Genuine Brand Cartridge Grease

For LUBYACE / LUBMAX



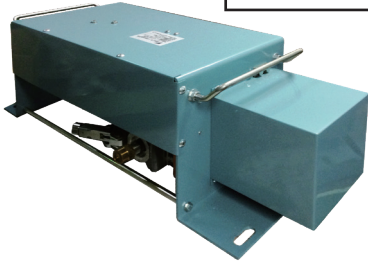
Consistency	400g	500g	1,000g
No.1	G-KL1	GKL-1-050	GKL-1-100 GSL-1-100
No.2	GKL-2-040	GKL-2-050 GSL-2-050	GKL-2-100 GSL-2-100

Chain Grease Feeders

Main Applications **Steel industry**

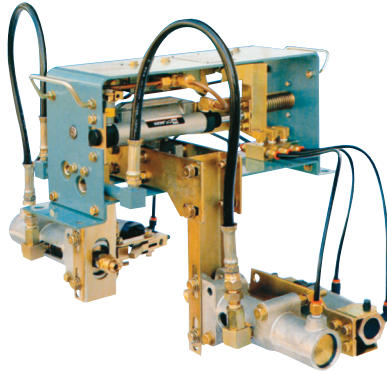


Check our video



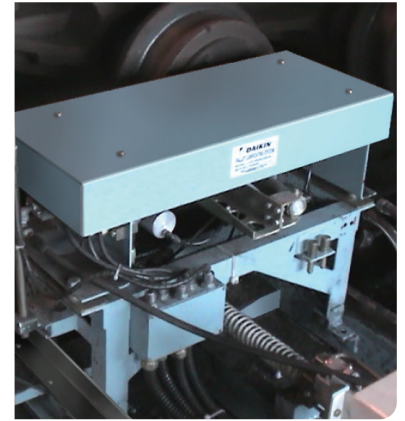
Trolley Grease Feeders

Main Applications **Coating lines**



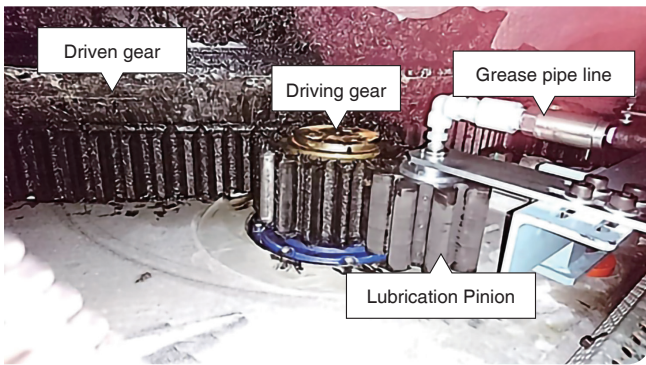
Pallet Wheel Grease Feeders

Main Applications **Steel industry**



Lubrication Pinions

Main Applications **Hydraulic power generators** **Conveyors**



DCO Daikin Circulation Oil Lubrication System

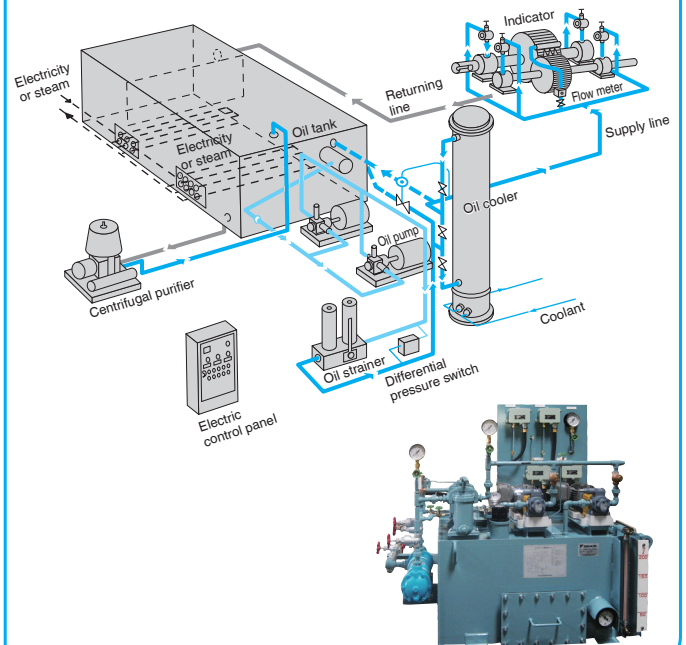
An appropriate amount of lubrication can be supplied most effectively

Main Applications **Reduction gears**

Air blowers

Compressor

Outline of the System



Fittings

Y-type line strainer

High pressure stop valve

Two way check valve

Point of contact

DAIKIN LUBRICATION PRODUCTS & ENGINEERING CO., LTD.

admin@daikin-lubrication.co.jp